

Automotive Lab Services

Contact Mott Community College Auto Office
in RTC 1031 or Debbie Adams in RTC 2700
for information and/or scheduling

810.762.0575

AutoTech@mcc.edu

Drum & Disc Brakes

Pads, and Shoes

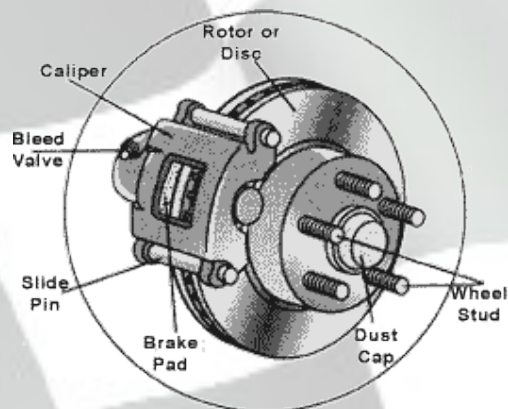
Calipers and Rotors

Brake Hardware

Hoses, Lines

Master Cylinder

ABS Light



Engine Performance

Tune-up and Ignition

Spark plugs and wires

Fuel and Emissions

Air and Fuel filters

Overall Engine Performance

Hands on learning for students: No warranties expressed or implied. Any product warranties are those of the manufacturer, Mott Community College disclaims all product warranties. All service is completed by the students as a hands-on learning experience and part of the learning curriculum.

Vehicles 1999-newer

Suspension and Alignment

Steering and Alignments

Struts and Shocks

Strut Mounts and Springs

Wheel Bearings, Ball Joints

Mount/Balance Tires

Stabilizer Bar, Tie Rod ends

